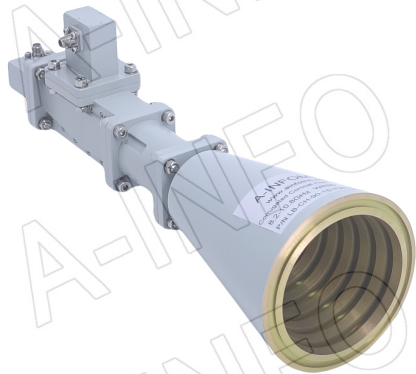


For reference only. See data sheet for the detailed specifications.

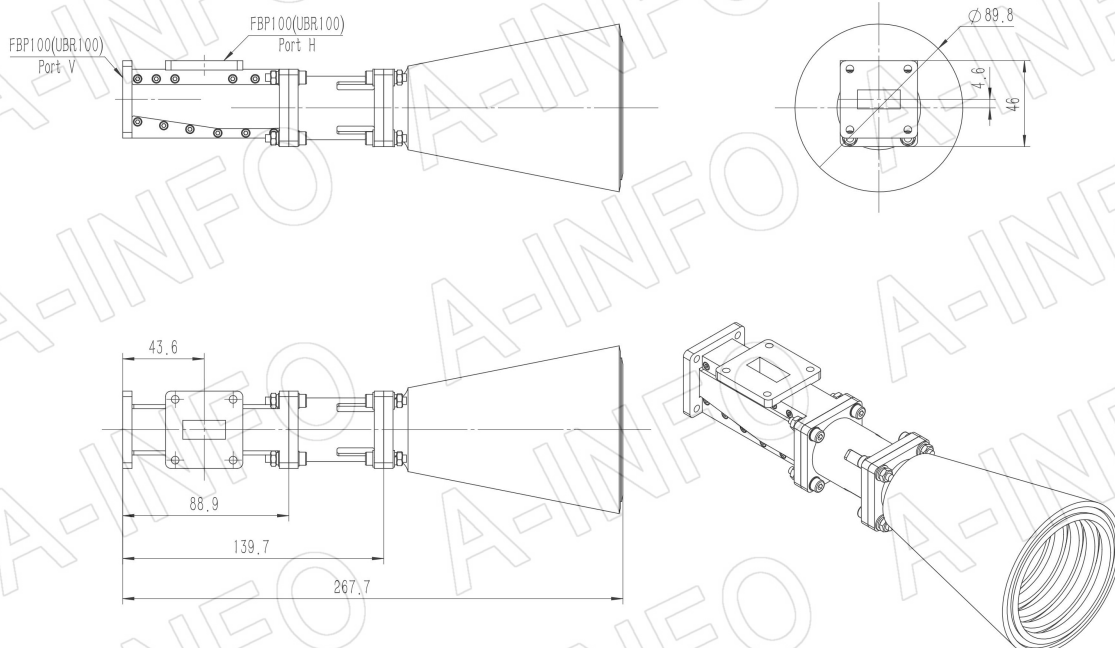
## Technical Specification



Frequency Range(GHz)	8.2 – 10.8
Waveguide	WR90
Gain(dBi)	15 Typ.
Polarization	Dual Linear
3dB Beamwidth(deg)	E Plane: 33 Typ.
	H Plane: 32 Typ.
Cross Pol. Isolation(dB)	45 Typ. ;
Port to Port Isolation(dB)	55 Typ. ; 45 Min.
VSWR	A Type: 1.50:1 Typ.
	C Type: 1.60:1 Typ.
Output	A Type: FBP100(UBR100) SMA-Female or N-Female
	C Type: TNC-Female or 7mm or 3.5mm-Female
Material	Al
Finish	Silver Plated and Chemical Conversion Coating, Gray Paint
Size(mm)	A Type: 89.8 x 89.8 x 267.7
	C Type: 89.8 x 108.2 x 305.7
Net Weight(Kg)	A Type: 0.71 Around
	C Type: 0.84 Around

## Outline Drawing (Size: mm)

FBP100 Output (P/N: LB-CH-90-15-T06-A)



**AINFO Inc.**

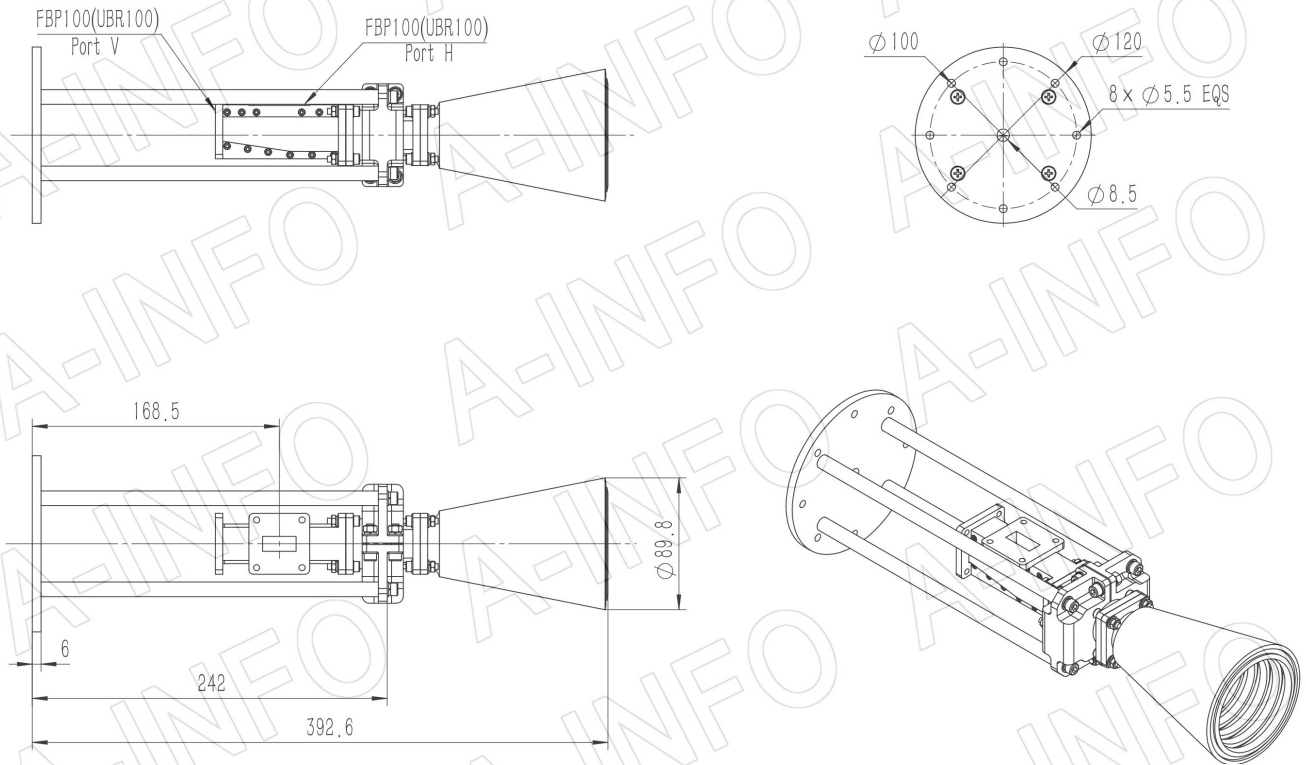
China(Beijing): Tel: (+86) 10-6266-7326,  
China(Chengdu): Tel: (+86) 28-8519-2786,  
USA : Tel: (+1) 949-639-9688,

Page 1 of 11

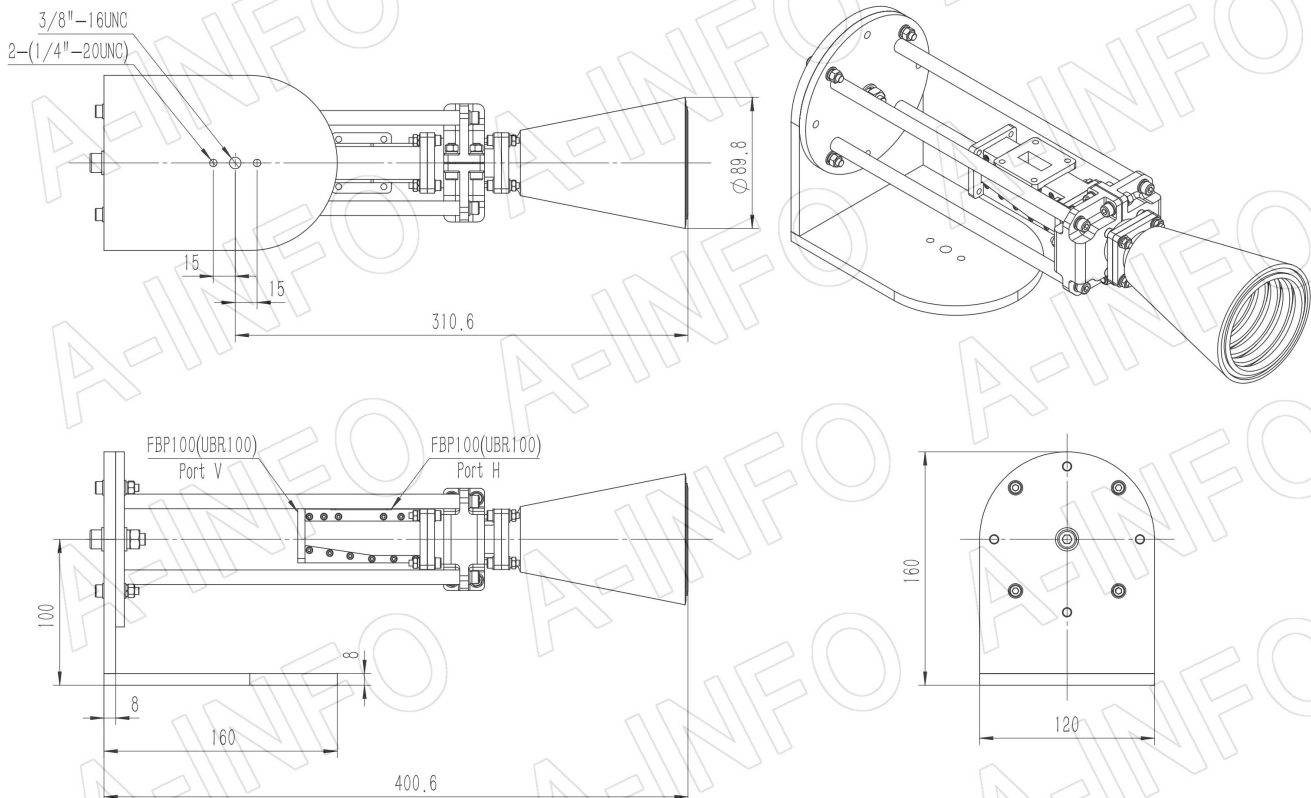
(+86) 10-6266-7327 Fax: (+86) 10-6266-7379  
(+86) 28-8519-3044 Fax: (+86) 28-8519-3068  
(+1) 949-639-9608 Fax: (+1) 949-639-9670

Website: [www.ainfoinc.com](http://www.ainfoinc.com)  
Email: [sales@ainfoinc.com](mailto:sales@ainfoinc.com)

## FBP100 Output with Round Mounting Bracket (Option, P/N: LB-CN-90-10-MB)

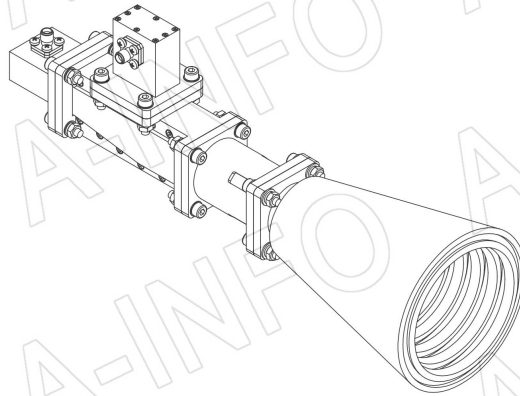
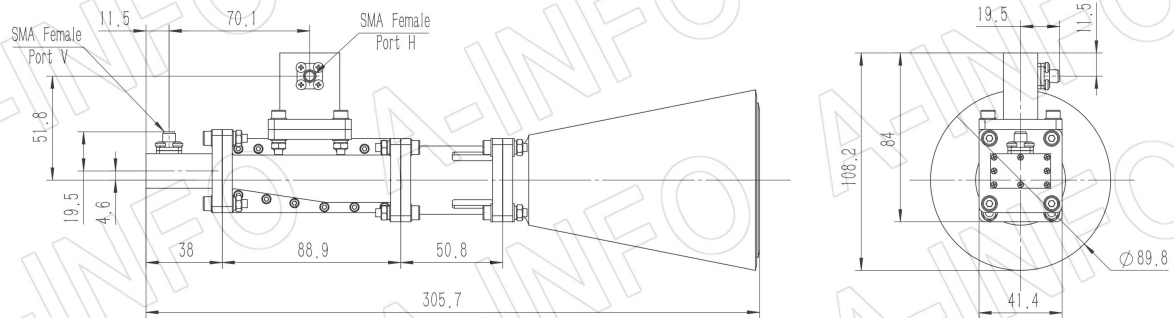


## FBP100 Output with L Type Mounting Bracket (Option, P/N: LB-CN-90-10-MBL)



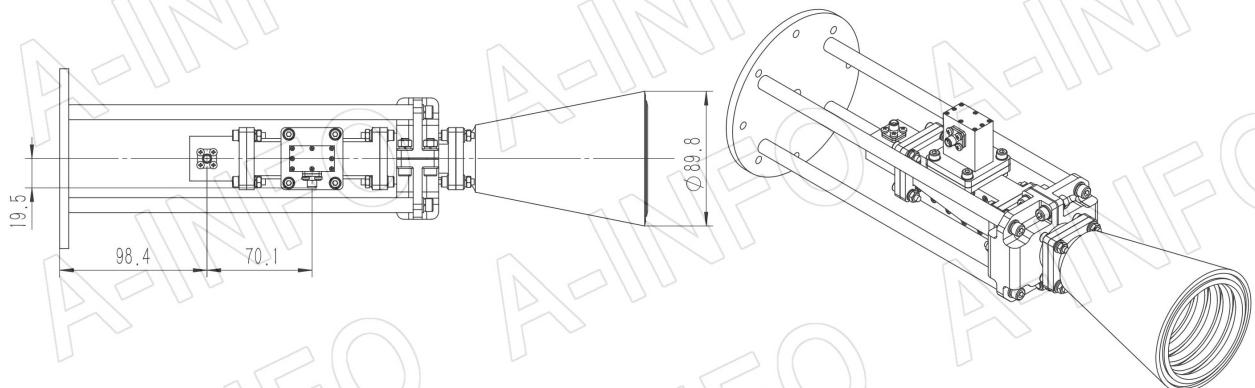
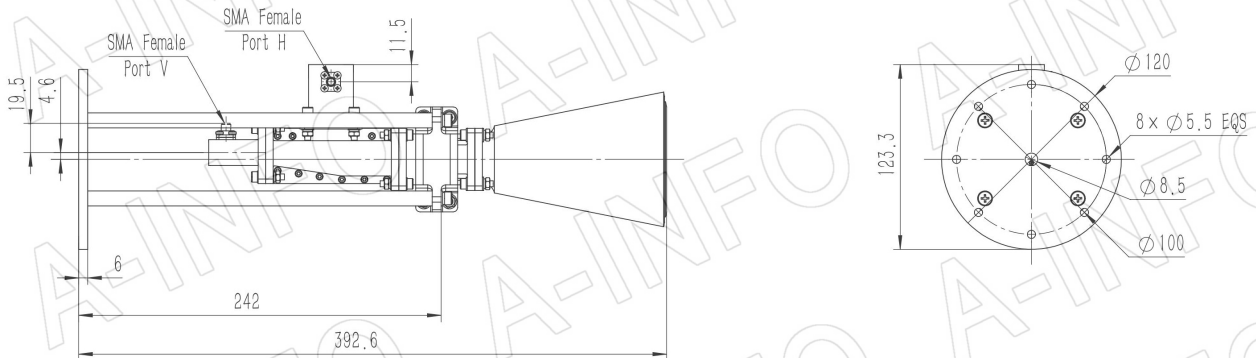
## SMA-Female Output (P/N: LB-CH-90-15-T06-C-SF)

For N-Female, TNC-Female, 7mm or 3.5mm-Female output outline drawing, please contact A-INFO.



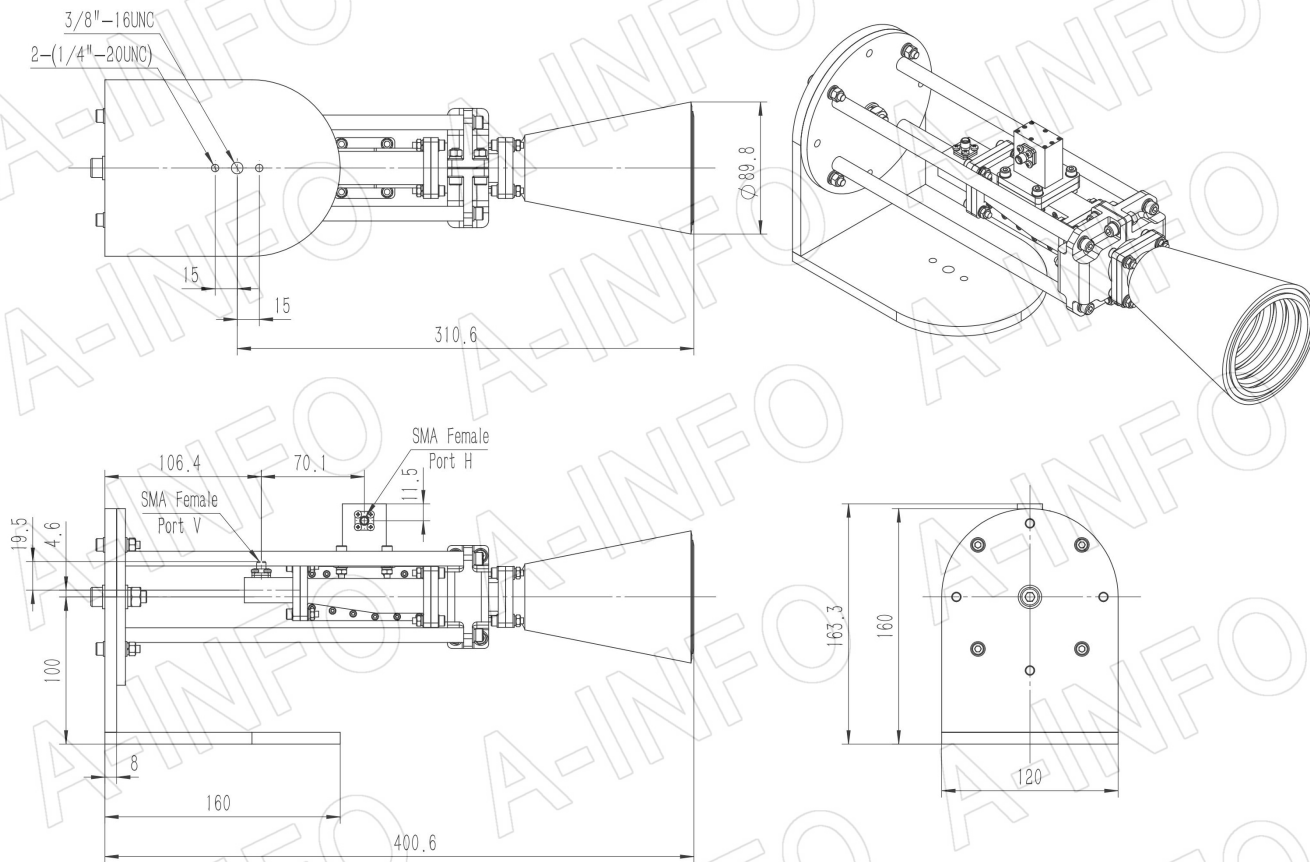
## SMA-Female Output with Round Mounting Bracket (Option, P/N: LB-CN-90-10-MB)

For N-Female, TNC-Female, 7mm or 3.5mm-Female output outline drawing, please contact A-INFO.

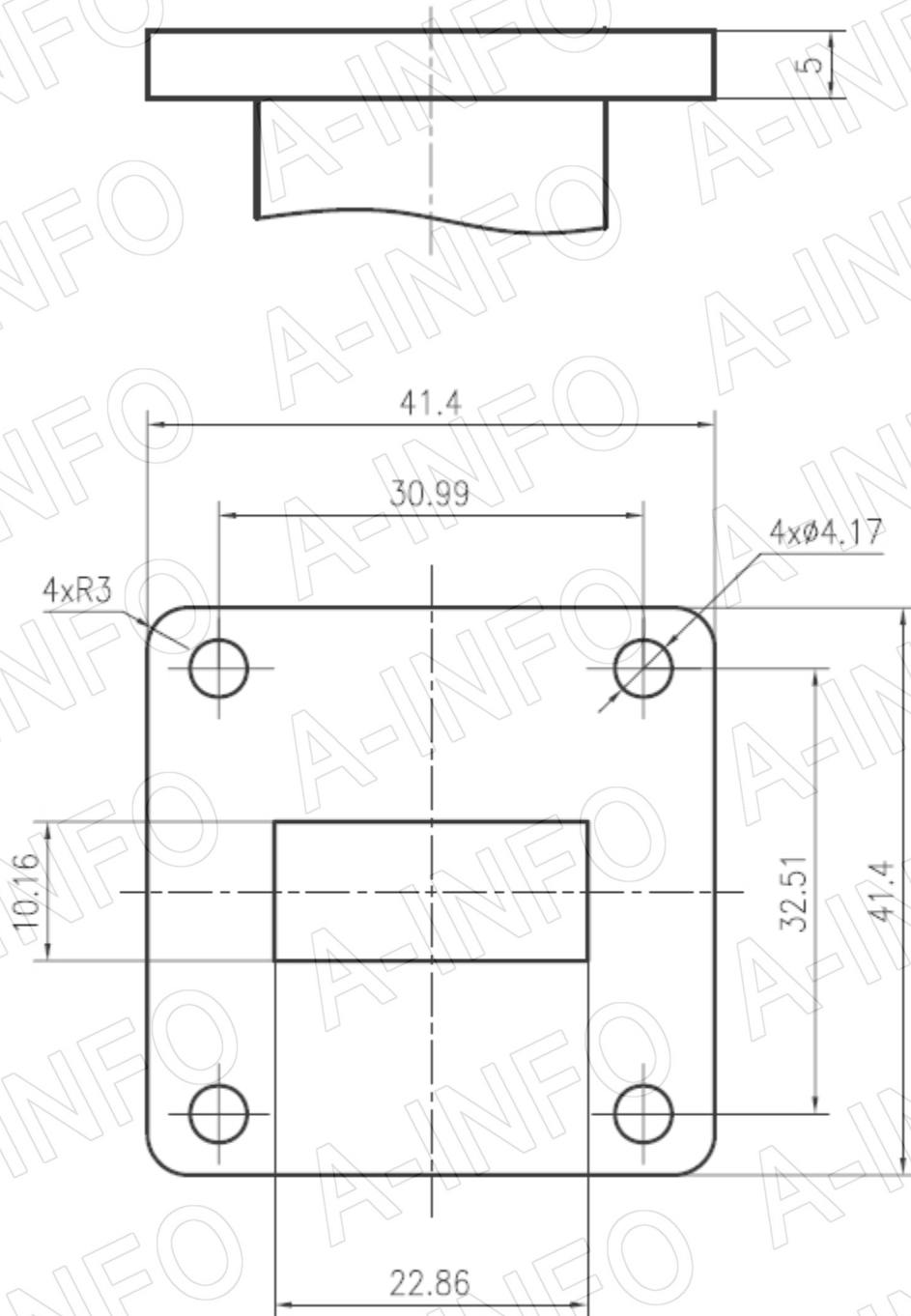


## SMA-Female Output with L Type Mounting Bracket (Option, P/N: LB-CN-90-10-MBL)

For N-Female, TNC-Female, 7mm or 3.5mm-Female output outline drawing, please contact A-INFO.



## Flange Drawing (Size: mm)



**FBP100**

**AINFO Inc.**

China(Beijing): Tel: (+86) 10-6266-7326,  
China(Chengdu): Tel: (+86) 28-8519-2786,  
USA : Tel: (+1) 949-639-9688,

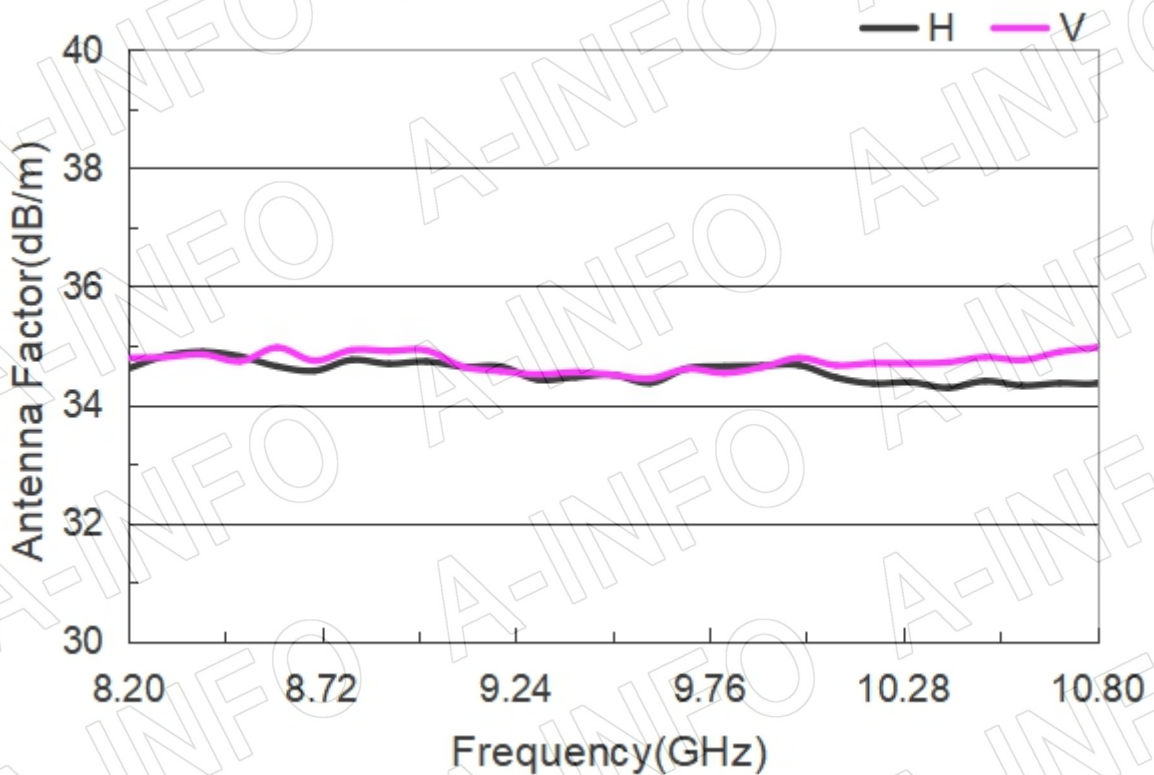
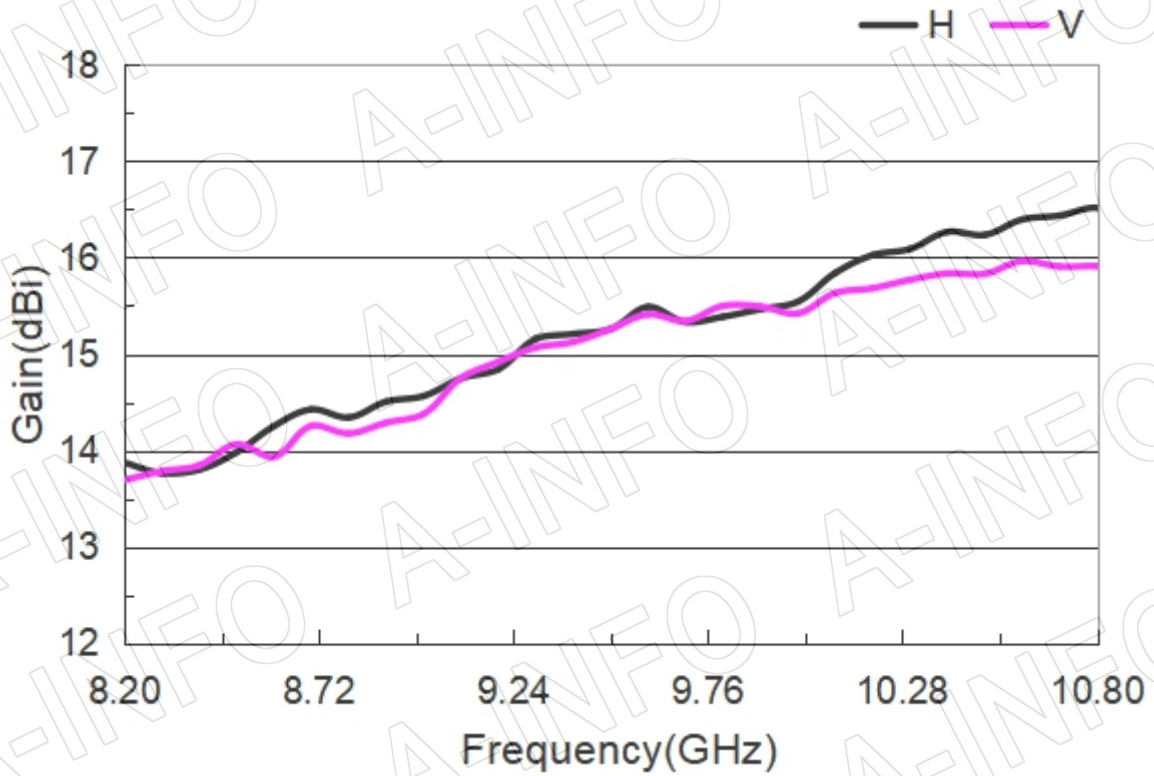
Page 5 of 11

(+86) 10-6266-7327 Fax: (+86) 10-6266-7379  
(+86) 28-8519-3044 Fax: (+86) 28-8519-3068  
(+1) 949-639-9608 Fax: (+1) 949-639-9670

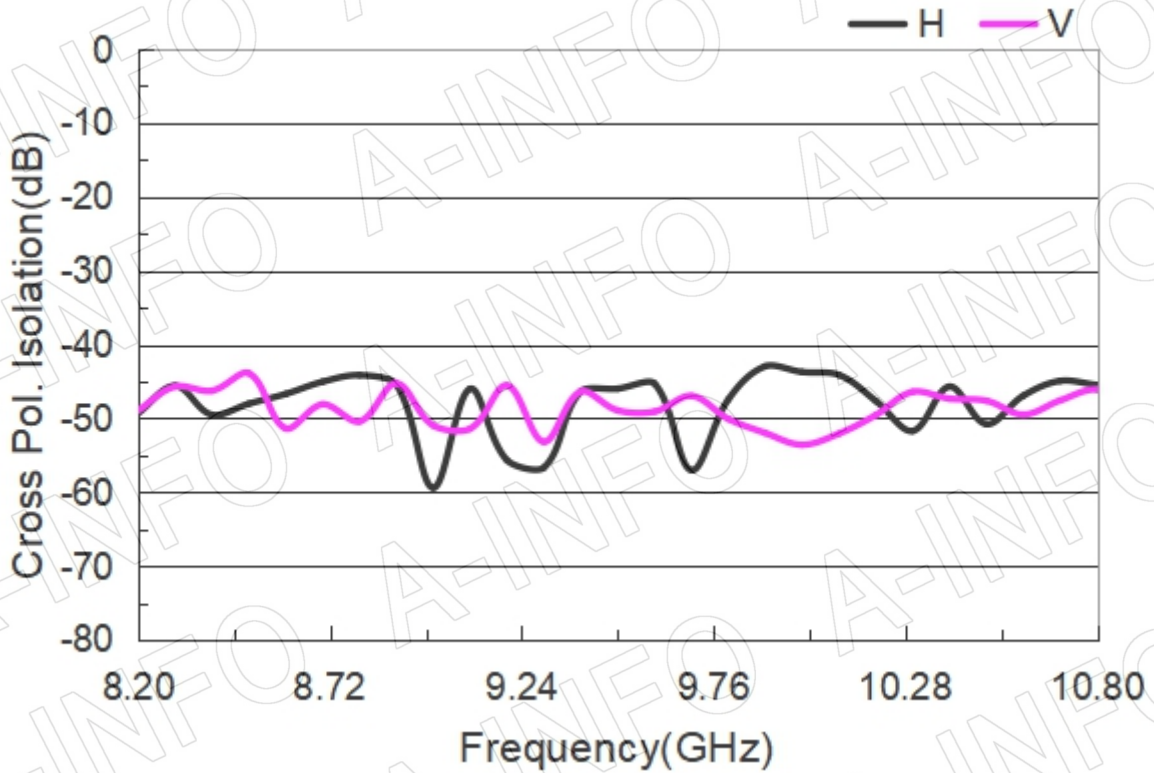
Website: [www.ainfoinc.com](http://www.ainfoinc.com)  
Email: [sales@ainfoinc.com](mailto:sales@ainfoinc.com)

## Test Results

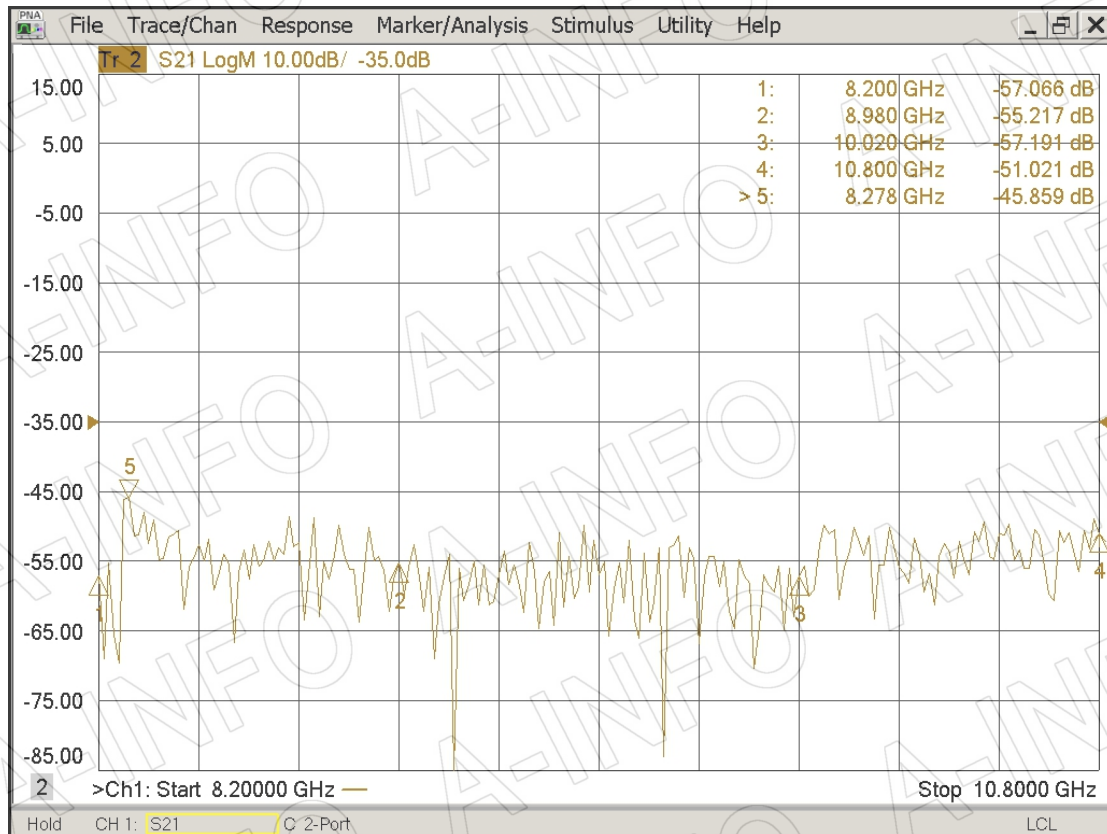
### 1. Gain & Antenna Factor



## 2. Cross Polarization Isolation

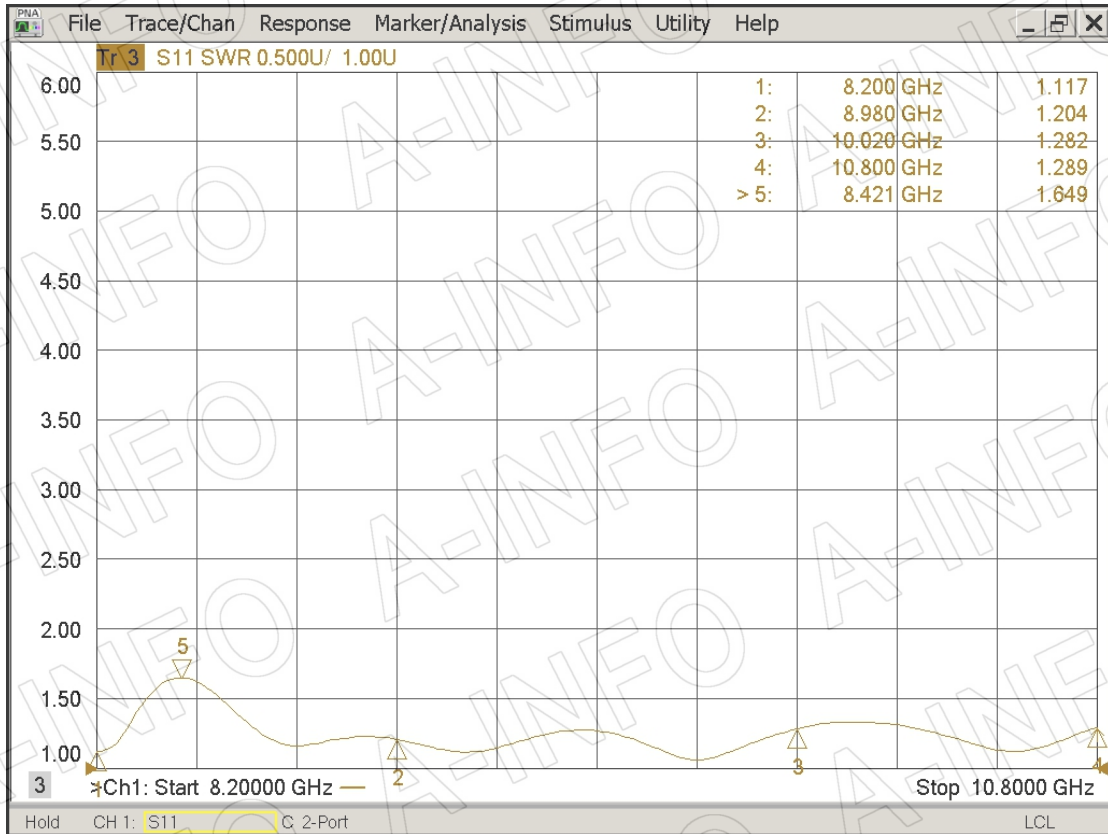


## 3. Port to Port Isolation

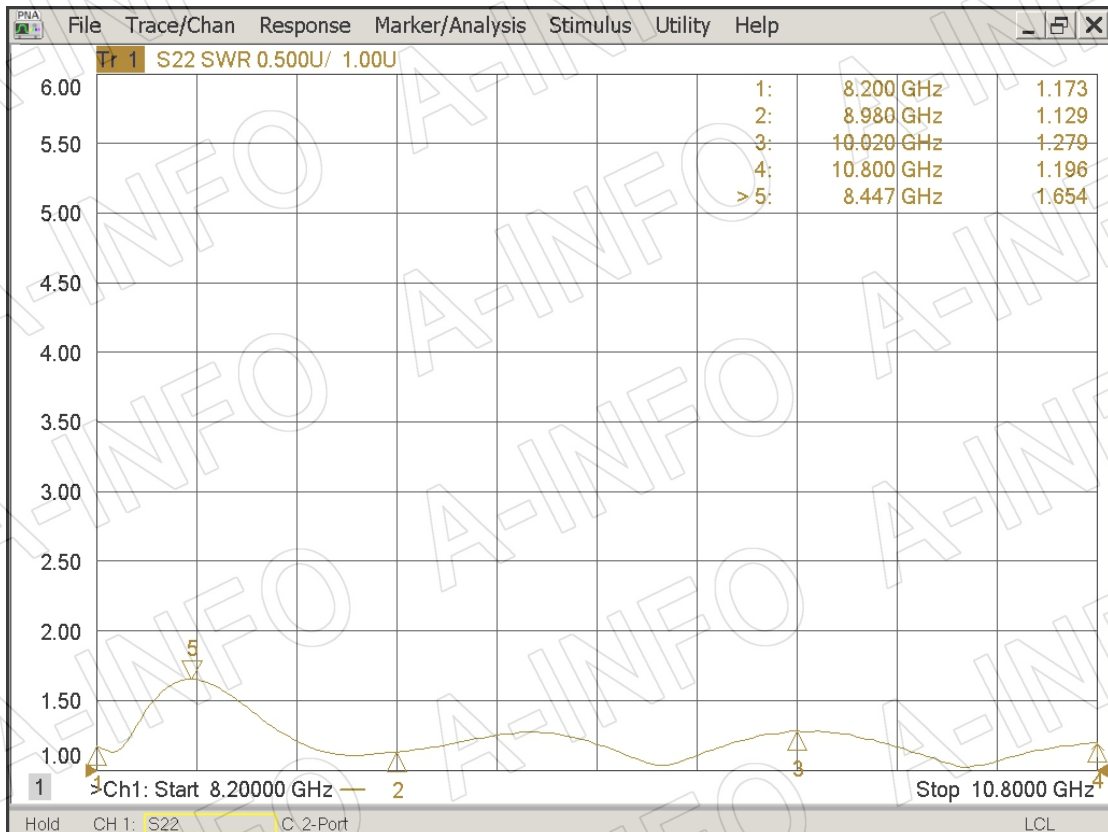


## 4. VSWR\_A Type

### Port-H



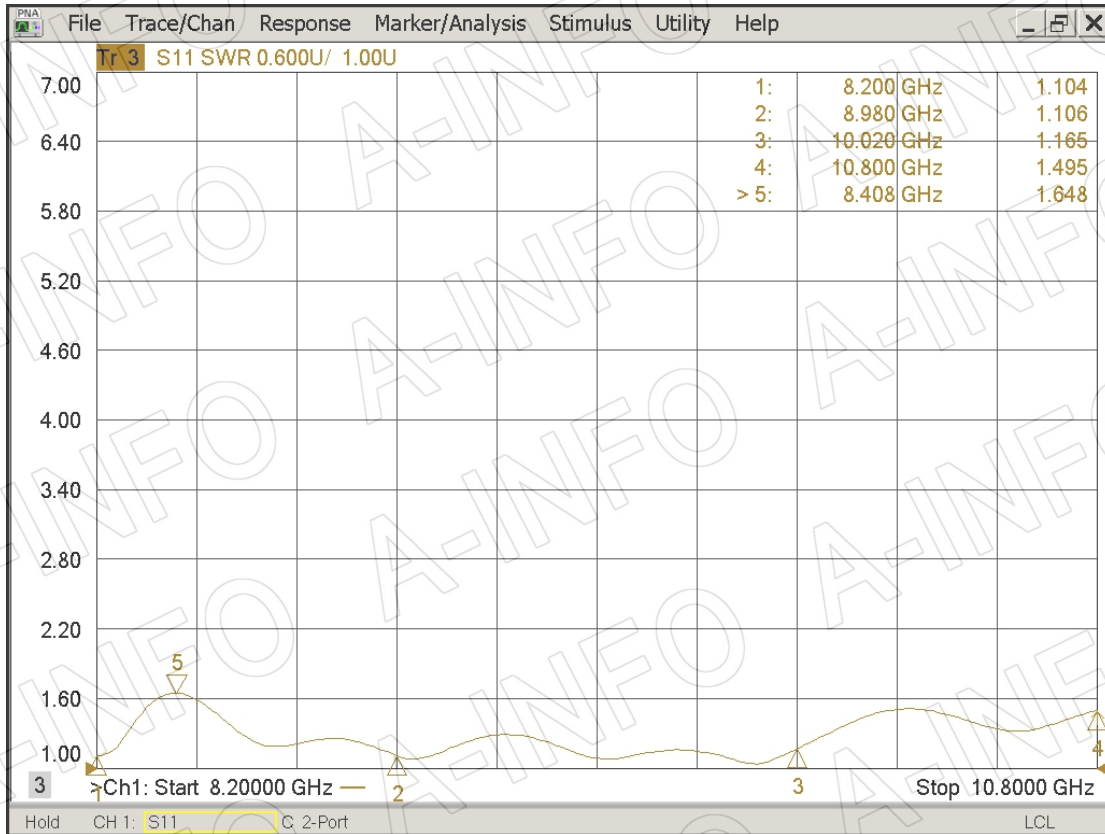
### Port-V



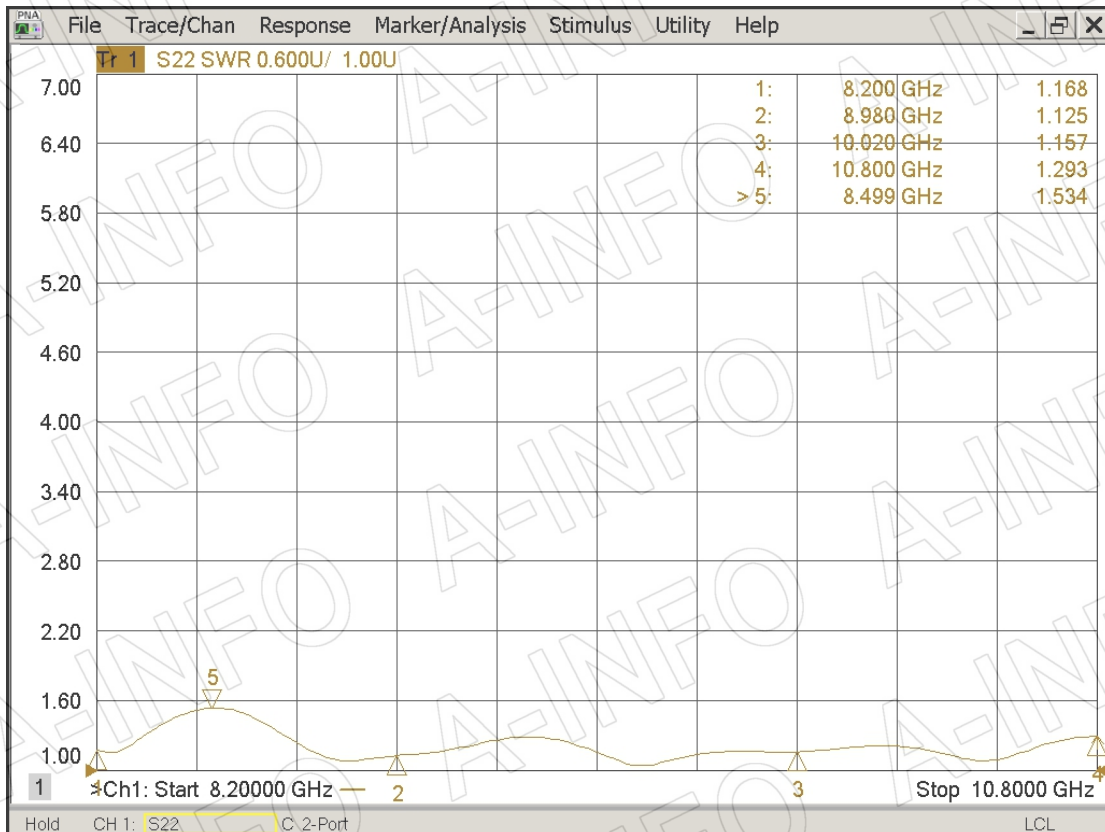


## VSWR\_C Type

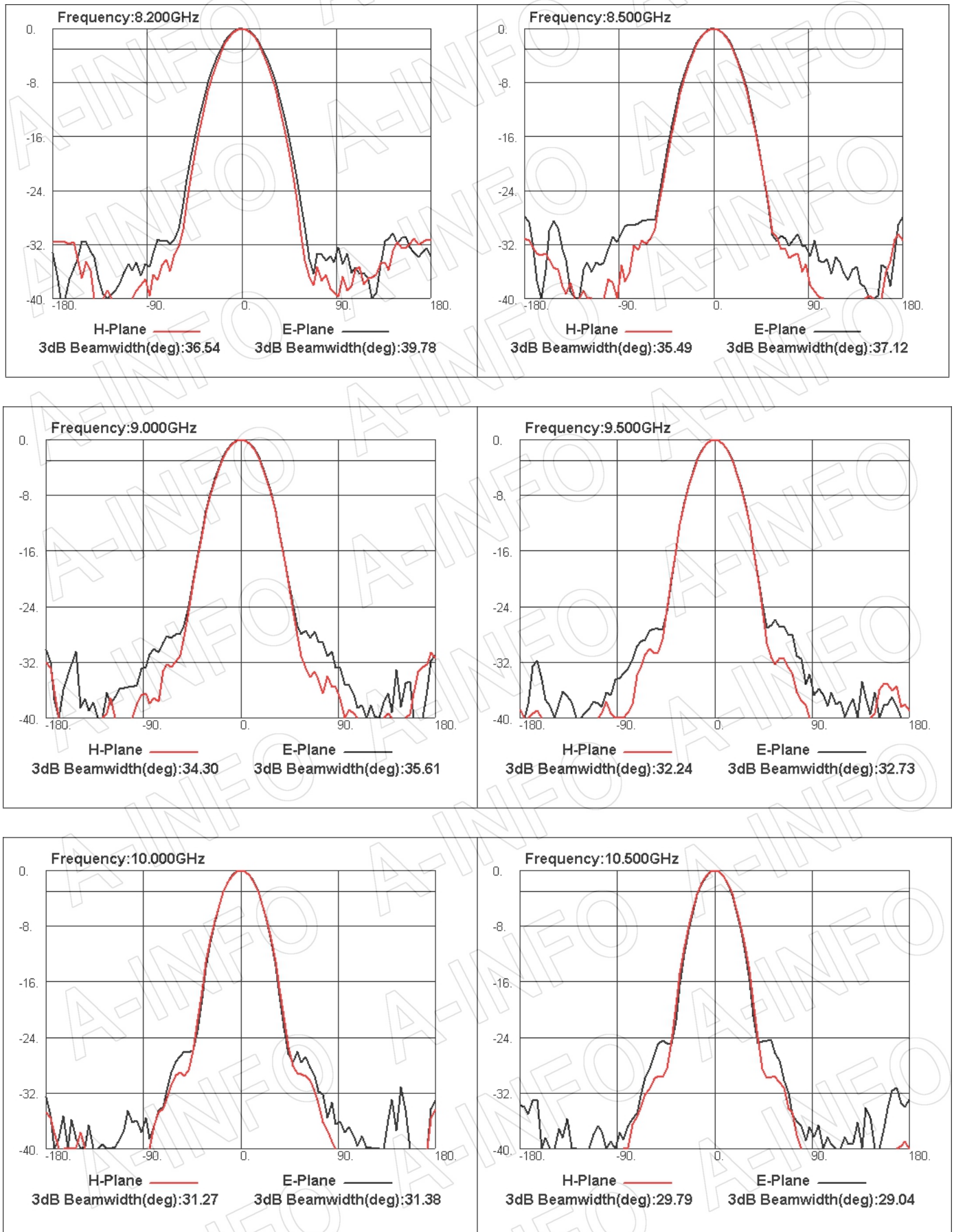
### Port-H



### Port-V



## 5. Pattern



**AINFO Inc.**

China(Beijing): Tel: (+86) 10-6266-7326,  
 China(Chengdu): Tel: (+86) 28-8519-2786,  
 USA: Tel: (+1) 949-639-9688,

Page 10 of 11

(+86) 10-6266-7327  
 (+86) 28-8519-3044  
 (+1) 949-639-9608

Fax: (+86) 10-6266-7379  
 Fax: (+86) 28-8519-3068  
 Fax: (+1) 949-639-9670

Website: [www.ainfoinc.com](http://www.ainfoinc.com)  
 Email: [sales@ainfoinc.com](mailto:sales@ainfoinc.com)

